

EP-TYPE-C面板型板前安装母插座/USB公直插头(螺纹式)
EP-TYPE-C Panel front installation female socket/USB male plug(Threaded)

EP - F T3 - PWF / M U3 - NWA - 1 PV - S

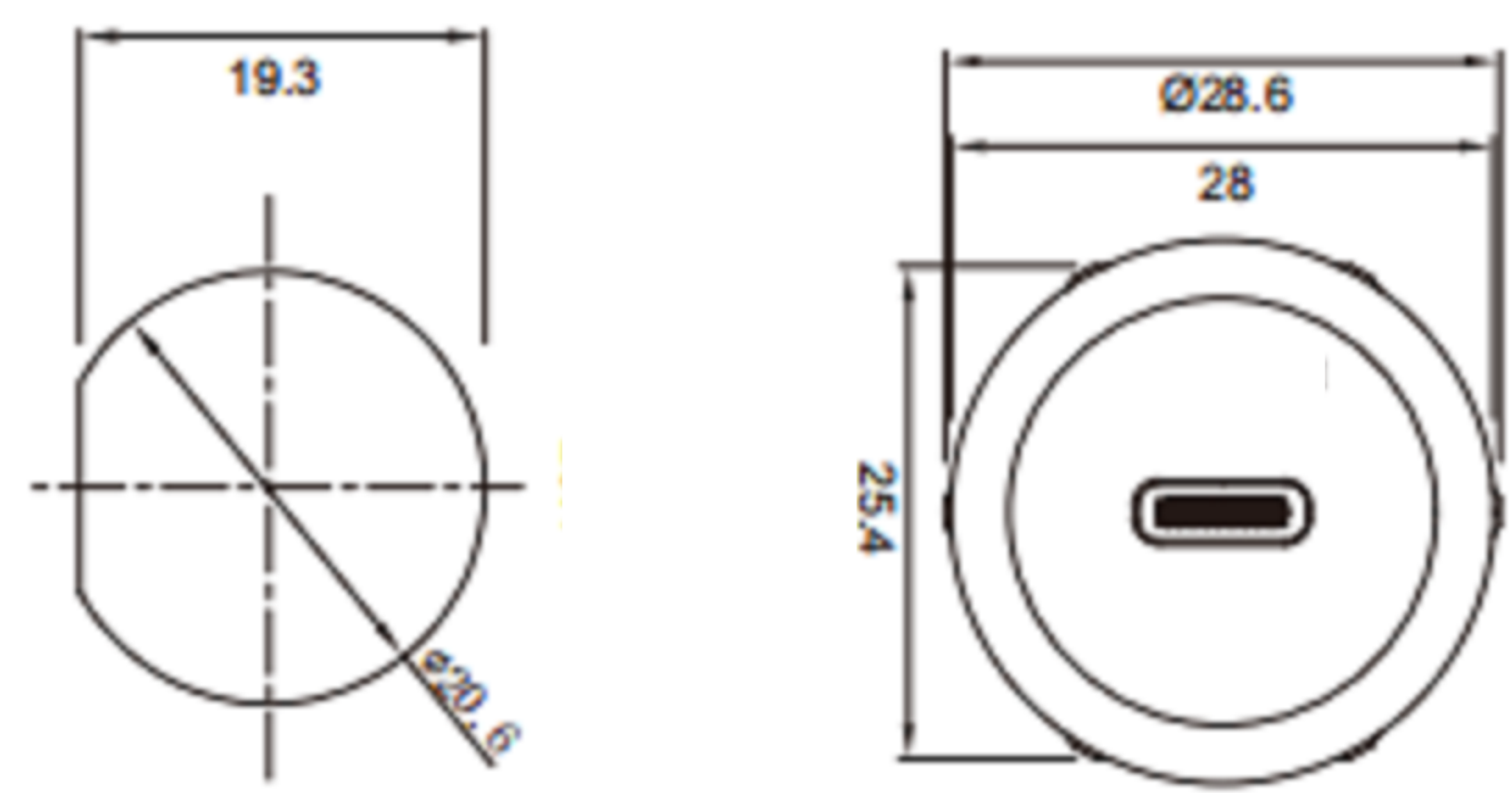
标准:
T2 :USB 2.0
T3 :USB 3.0
T3.1:USB 3.1
T4 :USB 4.0

标准:
U2: USB 2.0
U3: USB 3.0

线长(M):
1:1M
2.5:2.5M
.....

线材:
PV:PVC
PU:PU

空:非屏蔽
S:屏蔽



产品开孔尺寸
hole opening size

产品参数 PRODUCT PARAMETERS			
壳体材料 Shell material	热塑性塑料PA66 阻燃等级: V-0 Thermoplastic plastic PA66, flame retardant grade: V-0	额定电压 Rated voltage	5~20V
导体材料 Conductor material	黄铜 Brass	额定电流 Rated current	1~3A
线缆材料 Cable material	PVC外被 PVC jacket	绝缘电阻 Insulation impedance	2000 mΩ
连接方式 Coupling	螺纹锁紧(T) Thread (T)	适用温度 Applicable temperature	-40°C ~ +105°C
防水等级 Waterproof grade	IP67, IP68	插拔次数 Durability	≥500次(Cycle)

东莞市高迪电子有限公司
DONG GUAN GAO DI ELECTRONICS CO., LTD

TOLERANCE UNLESS OTHERWISE STATED:
Up to 5 ±0.2
Above 5 ~ 15 ±0.3
Above 15 ~ 30 ±0.4
Above 30 ~ 50 ±0.5
Angle ±0.3°

3RD. ANGEL'S

UNITS MM

DRAWN BY:	DATE	MAT'L	TITLE	CONNECTOR
Jack Lu	12/13/19			
CHECKED BY:	DATE	FINISH	MODLE	M U3 - NWA - 1 PV - S
Jacky Chen	12/13/19			
APPROVED BY:	DATE	SCALE	DWG NO.	SIZE
Tony Kao	12/13/19	1:1		A4
		SHEET NO.	PART NO.	VER
		1 of 1		R1